

REQUIREMENTS FOR SUITABLE CYLINDER LOCATIONS

Propane cylinders should never be kept or used indoors or below ground level, they must be in the open air in a well ventilated location. The only exception is where they are supplying portable or mobile equipment in non-domestic premises, where they can be used indoors provided their use is supervised and the cylinders are moved outdoors to a suitable location at the end of the day. If the cylinders are in an enclosed yard, it must be well ventilated.

Cylinders must not be located where they may be subject to temperatures above 40C, therefore keep all inflammables including rubbish and fires 1.5m from the cylinders. Keep the area around the cylinders clear.

Do not allow cylinders obstruct passageways or fire exits and do not allow them under stairways. Prevent propane cylinders from falling over, such as by chaining the collars to a wall or fitting a cylinder cage. Use a cage if the cylinders are likely to be interfered with or where they may be struck by a vehicle.

MAKE SURE OUTDOOR CYLINDERS ARE SEPARATED FROM HAZARDS AS FOLLOWS:

MINIMUM SEPARATION DISTANCE IN METRES	HAZARD OR FEATURE
1.0m	Windows; doors; air vents; balanced flue outlets; drains with a water trap
1.5m	Parked vehicles; fixed sources of ignition; non-flameproof electrical equipment; flammable or combustible material
3.0m	Drain without water trap; oil tanks and their bund walls; openings to cellars or basements; corrosive, toxic or oxidising material
6.0 m	Mechanical air intakes
Chimneys/air intakes to be 1m above top of cylinder, other openings 0.3m above.	

We recommend that propane cylinders be used with automatic changeover regulators and with pigtailed (hoses) that have excess-flow and back-check valves ('SuperSafe' pigtailed). Propane cylinders can be located in a recess in a wall or on flat roofs subject to certain conditions; for details refer to Flogas, Irish Standard IS 820, or the Flogas website at www.flogas.ie

For further information please contact:

DROGHEDA

Knockbrack House, Matthews Lane, Donore Road, Drogheda, Co. Louth.
T: 041 983 1041 E: info@flogas.ie www.flogas.ie

CORK

Tivoli Industrial Estate, Tivoli, Co. Cork.
T: 021 450 6688 E: info@flogas.ie www.flogas.ie

BELFAST

44-48 Airport Road West, Belfast Harbour Estate, Belfast BT3 9ED
T: 028 9073 2611 E: info@flogasni.com www.flogasni.com

LPG



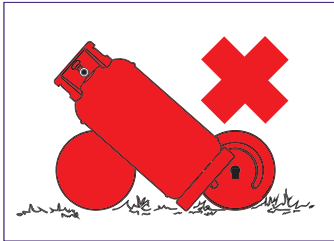
SAFETY GUIDE

for Propane Gas Cylinder Installations



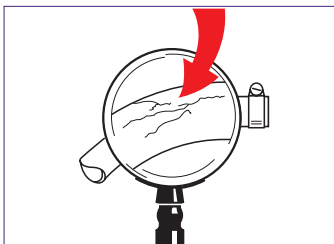
RECOMMENDATIONS ON THE SAFE USE OF FLOGAS BOTTLED GAS

Bottled Gas (Propane) should be treated with care and correctly used to ensure maximum safety. These suggestions if followed will help you to use bottled gas safely and efficiently.



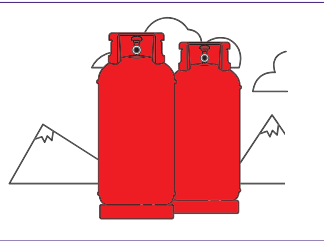
1 Treat your gas cylinder with care

Flogas cylinders are designed and manufactured to the latest standards; however we ask you to take care of the cylinder by avoiding damage through dropping or impact. When the cylinder is not in use, keep the valve cap firmly on the valve.



4 Check hoses regularly

Ensure that all hoses are properly secured with hose clips. Check them regularly and if damaged or showing signs of deterioration or wear, replace them. These items are covered by gas standards and replacements must be of the correct quality. Hoses should never be stretched across the back of a cooker or left resting on a heater.



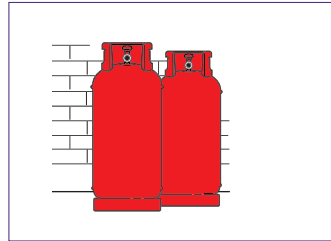
2 Correct cylinder storage

Cylinders should be kept standing upright, on firm level ground, with the valve upwards at all times, whether the cylinders are full or empty. Cylinders should not be stored under stairways, in cellars or below ground level. They should also be protected from excess heat.



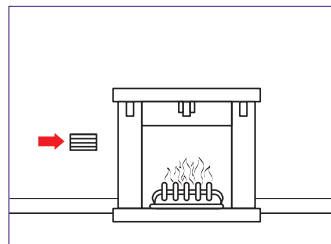
5 Checking for leaks

After connecting up the cylinder open the valve and check that it is not leaking. A leak will smell, and you may hear it hiss. Brush the joint with washing up liquid. Bubbles will show a leak. Never check for a leak with a naked flame. If any problems are encountered, turn the cylinders OFF, and contact your local Flogas Dealer, who will be pleased to help you.



3 If you smell gas

Turn the gas off at the cylinder(s). Turn off all naked flames and eliminate all sources of ignition BUT do not turn electrical switches on or off. If leak is indoors, open all windows and doors to disperse gas. If cylinder is indoors, disconnect it and move it outdoors to an open area. If the leak cannot be stopped or a significant leak has occurred, evacuate the premises. Contact your installer or gas supplier. In the event of fire, contact the emergency services.

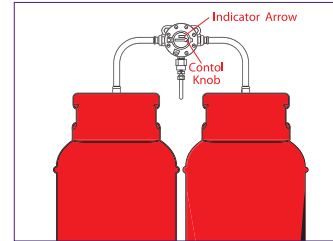


6 Ventilation

As all gas appliances consume air, it is important to ensure that there is adequate ventilation in the room where the appliance is situated. Consult the appliance manufacturers recommendations, and if in doubt contact Flogas.

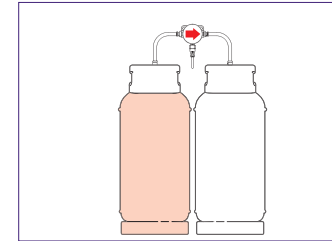
CHANGING OR CONNECTING FLOGAS CYLINDERS

Before using a gas appliance, you should be fully familiar with the ON and OFF positions of the cylinder valves.



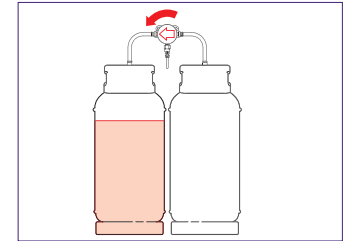
1 Automatic changeover device

This device connects two cylinders to your appliance. One cylinder is in service while the other remains in reserve. An indicating arrow on the control knob points towards the service cylinder.



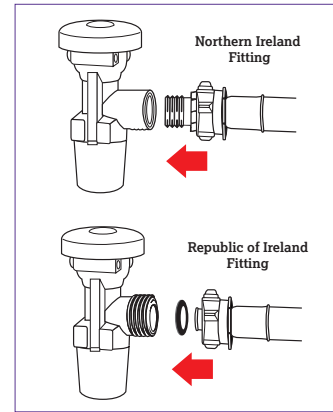
2

When the service cylinder is empty the arrow turns red. The changeover device automatically switches to the reserve cylinder without any interruption in supply of gas.



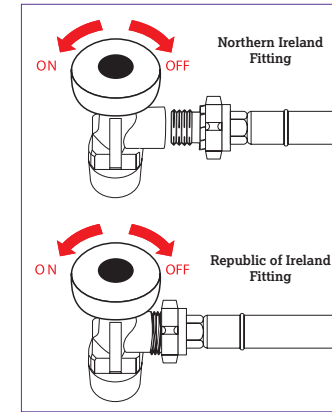
3

When the indicating arrow shows red, the control knob should be turned until the arrow points to the other cylinder. The empty cylinder should then be replaced.



4 Connecting up

Before connecting make sure the cylinder valve is closed tightly. Fit the hose in place and tighten the nut anti clockwise i.e. in the opposite direction to a normal thread. This should be tightened just over hand tight.



5 Opening/closing cylinder valve

The cylinder valve is opened or closed by turning the hand-wheel in the normal direction (as with turning on or off an ordinary water tap). This should only be turned by hand, never by a wrench. Turn OFF the valve on the empty cylinder before starting to disconnect it. Make sure the valve on the replacement cylinder is also closed.



6 Checking for leaks

After connecting up the cylinder, open the valve and check that it is not leaking. A leak will smell, and you may hear it hiss. Brush the joint with washing up liquid. Bubbles will show a leak. Never check for a leak with a naked flame. If any problems are encountered, turn the cylinders OFF, and contact your local Flogas Dealer, who will be pleased to help you.